



The most efficient protection for RJ45 Patch cords

Technical Data Sheet



Product summary:

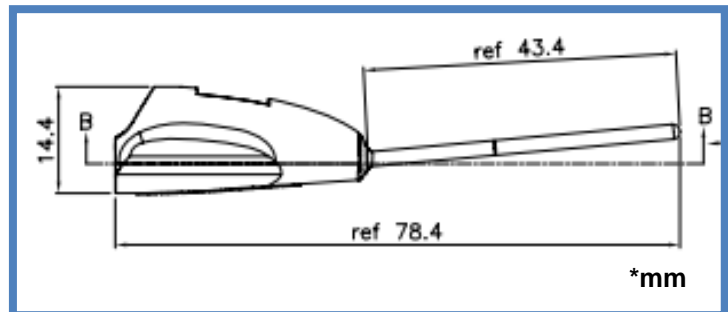
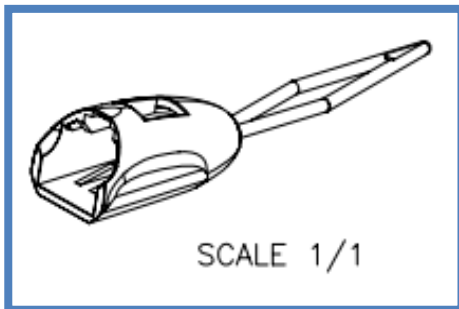
Our extended field experience tells us that nine times out of ten network cable failures are caused by poor contacts, especially due to RJ45 plug with damaged plastic strips. RJ45 plugs are at high risk of being damaged when re-patching, when installing or moving cables, or when laying cables in false floors, in false ceilings, in cable routing trunking systems ...The risks include stressing, breaking, gripping, etc... Worse, as a result of the damage to a RJ45 plug, the corresponding network socket may be permanently damaged. With PLUGCAP:

- The plug is fully protected from the start, up to the final connection.
- The plastic body which fully covers the plug is fitted with an eye to pull the network cable through a false floor, or through an electrical flexible conduit without any risk of damaging to the plug. The protection is left on until final connection.

- The network system life expectancy is greatly increased.
- Thanks to PLUGCAP's unique color, it is straight forward to identify any cable on stand-by in the back of panels.
- The whole range of PatchSee long lengths patch cords "DirectPatch" UTP or FTP are equipped with 2 PLUGCAP as standard. Available lengths: 20 feet (6,1m) / 26 feet (7,9m) / 32 feet (9.7m) / 40 feet (12.2m) / 50 feet (15.2m) / 66 feet (20m) / 82 feet (25m) / 100 feet (30m)

Technical Data Sheet :

Material	PP (Polypropylene)
Composition	PP 3015
Melting Point	95°C
Packaging	Blister pack of 3 PLUGCAP Plastic bag of 100 Units on request
Colour	Pink (pantone 210C)
Weight	Blister of 3 PLUGCAP : 15g
Blister dimensions	W x H x T = 8,6 cm x 10 cm x 2 cm
Cycle life	500



Designation *:

P/N	DESIGNATION	QUANTITY / BLISTER
PLUGCAP	Protection for RJ45 connectors	3

* Plastic bag of 100 units available on request

